

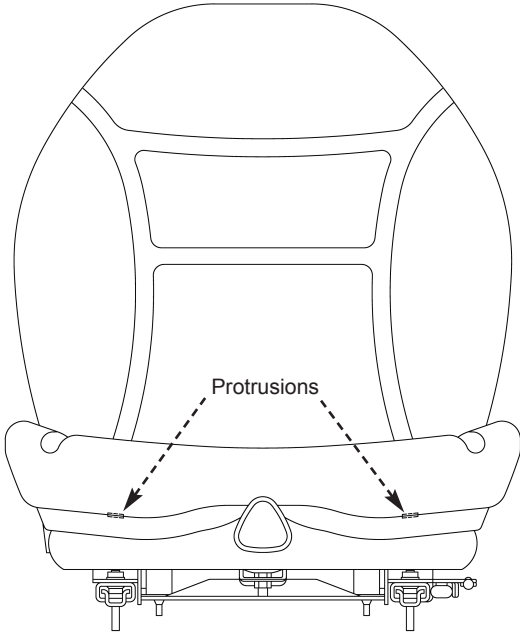
Installation Guide

KM 336 Uni Pro - Cushion Replacement

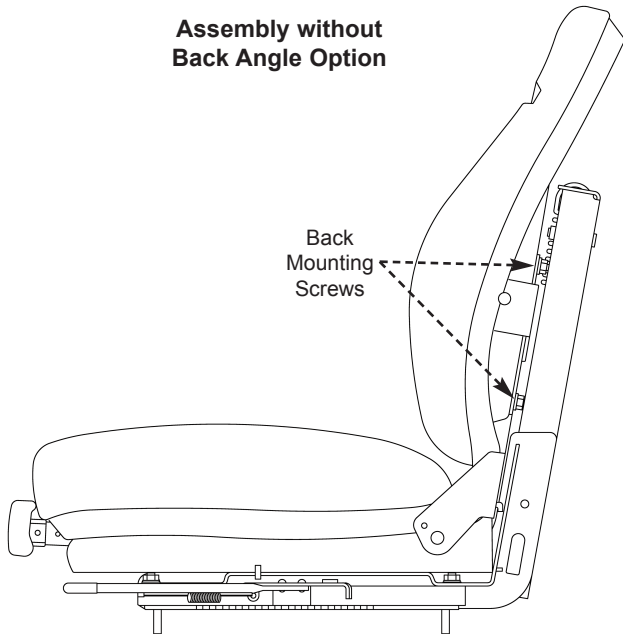
1. Remove and discard the back mount screws (four on back without angle option, six on back with angle option) located as shown below.
2. Grasp both sides of the seat pan and tip it up and forward to disengage it from the protrusions at the front of the seat.
3. Disconnect switch wiring if present.
4. Mount existing switch (if present) and hardware to new seat.
5. Reinstall the seat pan assembly in reverse order.
6. Reconnect the switch wiring if present.
7. Before installing the backrest screws, be sure the front seat frame protrusions fit the holes provided in the seat to secure it down. (Check for engagement by lifting up on the front of the seat.)
8. Fasten backrest with four or six tapping screws. Torque screws to 9 ft-lbs (12 Nm).
9. Verify proper operation of switch (if present) before putting into service.

| Parts List |
|---------------------|
| 1 - Back Cushion |
| 1 - Seat Cushion |
| 6 - Mounting Screws |

| Tools Required |
|----------------------|
| Wrenches |
| Phillips Screwdriver |



Assembly without Back Angle Option



Assembly with Back Angle Option

