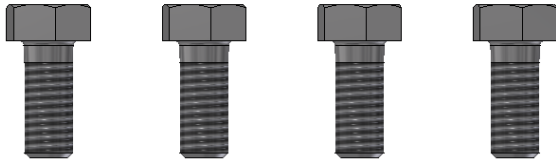
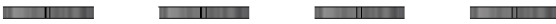


#### Installation instructions installing KM125 seat onto Kubota B2620



5/16"-18x3/4" HEX HEAD BOLTS

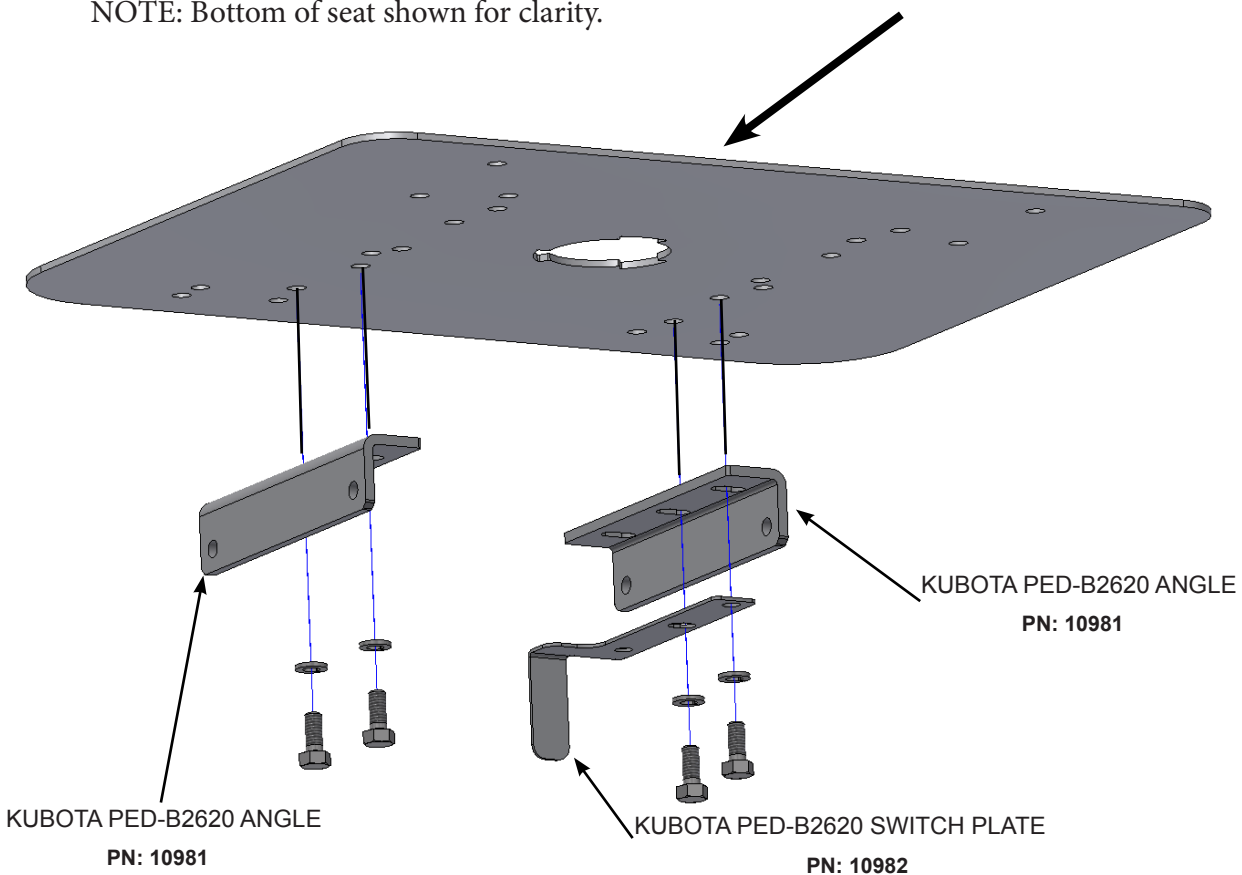


5/16" LOCK WASHERS

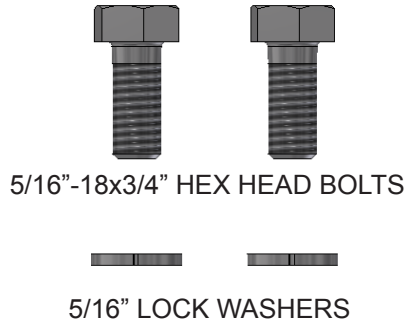
1. Remove the old seat by removing the two clips from the pins.
2. Attach KM brackets to new seat bottom as shown in the picture below using 5/16" - 18x3/4" hex head bolts and 5/16" lock washers. **DO NOT TIGHTEN BOLTS.**

NOTE: Bottom of seat shown for clarity.

BACK OF SEAT



### Installation instructions installing KM125 seat onto Kubota B2620



4. Install spacer plate on seat bottom using 5/16"-18x3/4" hex head bolts and 5/16" lock washers.
5. Install the new seat to the tractor using the pins and clips from the old seat. NOTE: keep the seat tilted forward to prevent damage to the OPS switch.
6. Adjust the seat and seat switch bracket to ensure proper contact.
7. Tighten all bolts.

NOTE: Bottom of seat shown for clarity.

